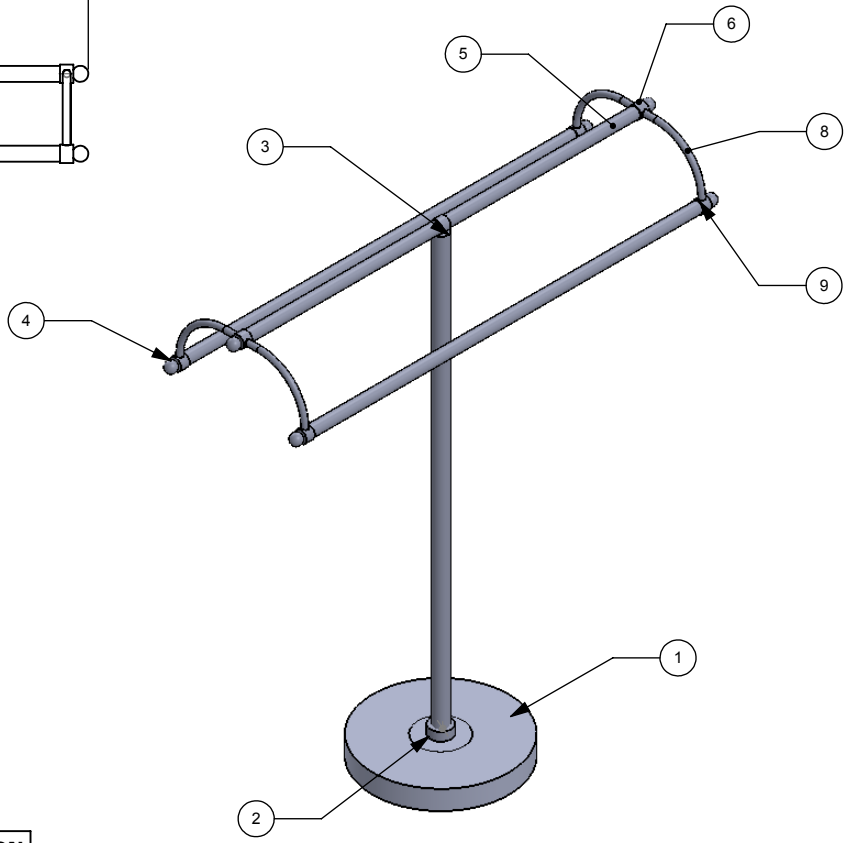
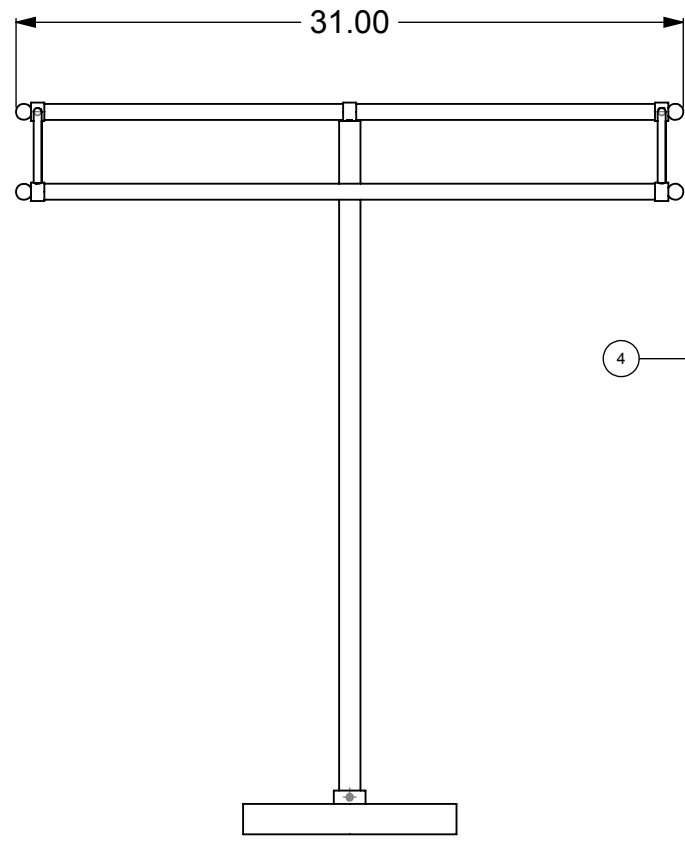
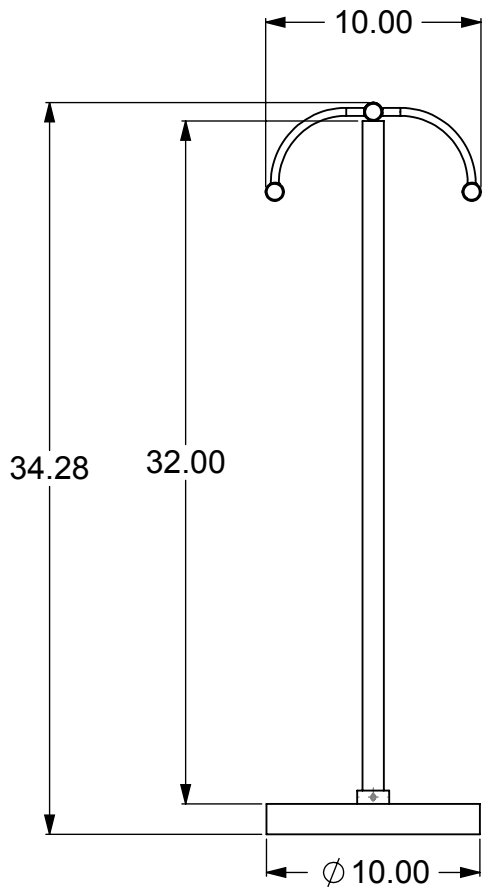
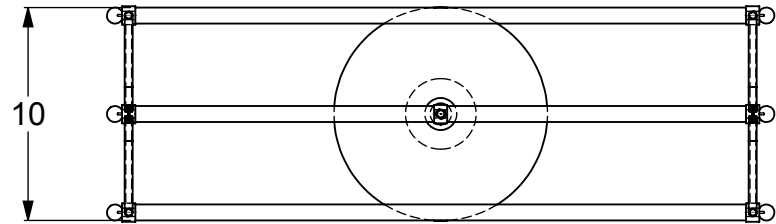


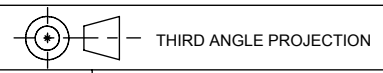
TS-31 BOM			
ITEM NO.	P/N	DESCRIPTION	QTY.
1	BSRD-10.5	BASE	1
2	RGSM	HUB	1
3	TU1-32	TUBE	1
4	MR-TILT-FITT	HUB	5
5	TU34-14	TUBE	2
6	HB-GAL		2
7	BL1T-34	End Ball	6
8	HKTT-45	Bent Tube	4
9	TU34-28	TUBE	2



UNLESS OTHERWISE STATED

.X	±.3mm
.XX	±.15mm
.XXX	±.008mm

COPYRIGHT © Allied Brass 2016



APPROVED FOR PRODUCTION
 By: RICHARD PAUL
 Date: 8-29-18

DRAWN	8/29/2018	I.M
CHECKED	8/29/2018	P.D
APPROVED	8/29/2018	R.A

MATERIAL: BRASS
 DESCRIPTION: Free Standing Double Arm Towel Holder



NOTE:
 1. UNIT IS IN INCHES.

FINISH	TBD
QUANTITY	TBD
DRAWING No. TS-31	
SCALE	1:9
SHEET: 01	A4